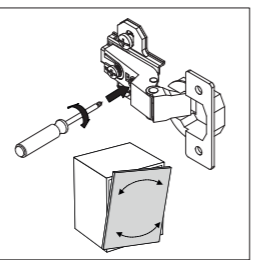
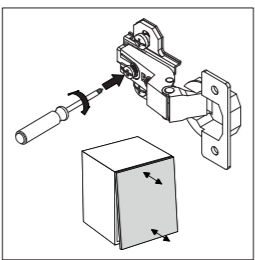
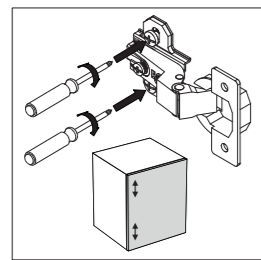
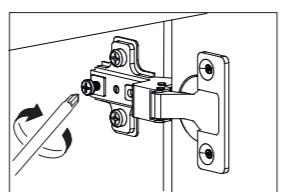
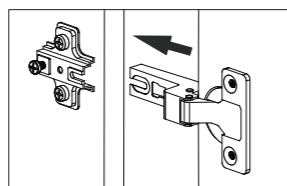
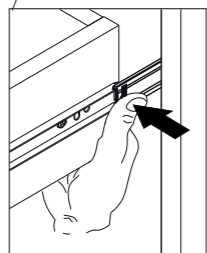
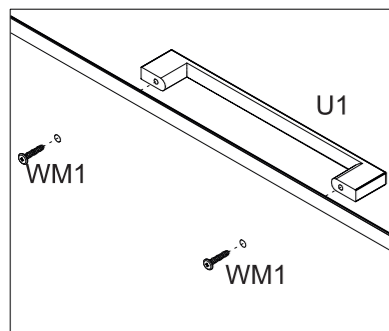
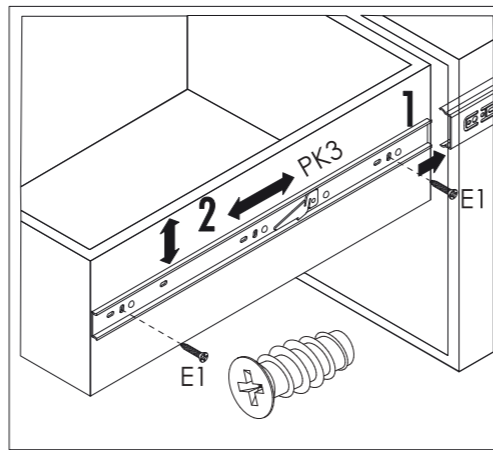
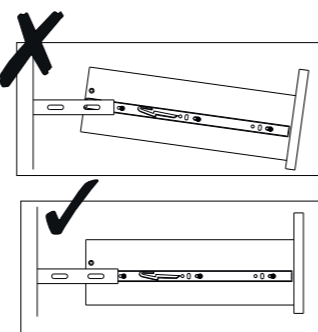
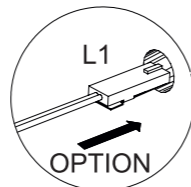
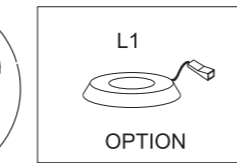
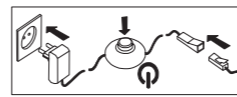
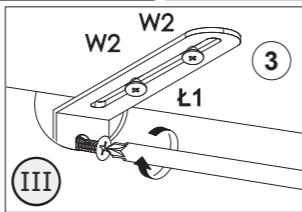
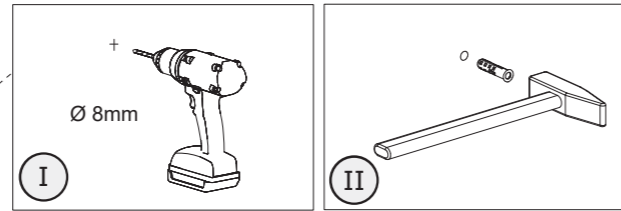
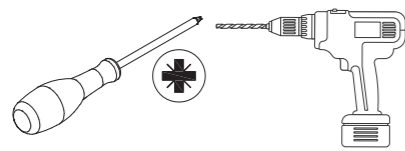
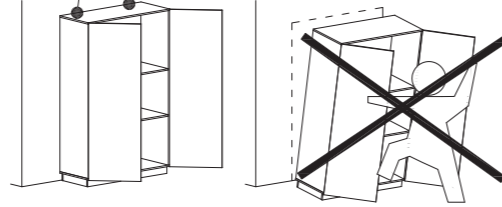
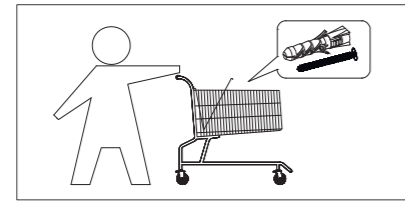
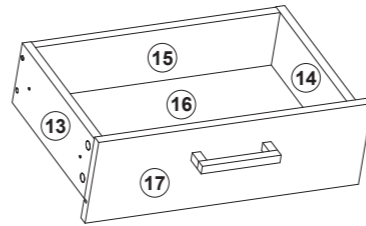
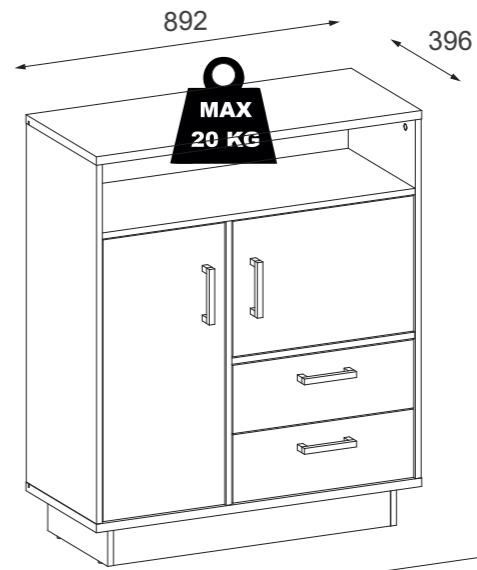
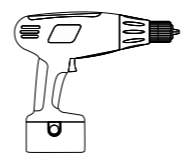
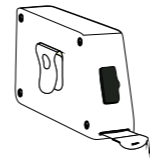
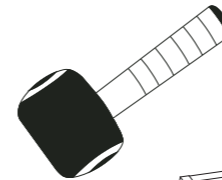
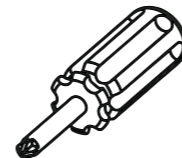
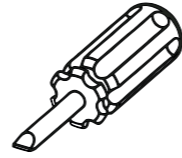


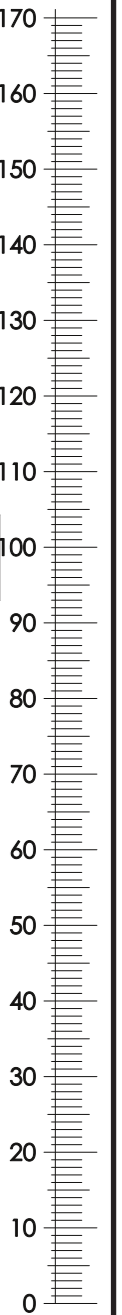
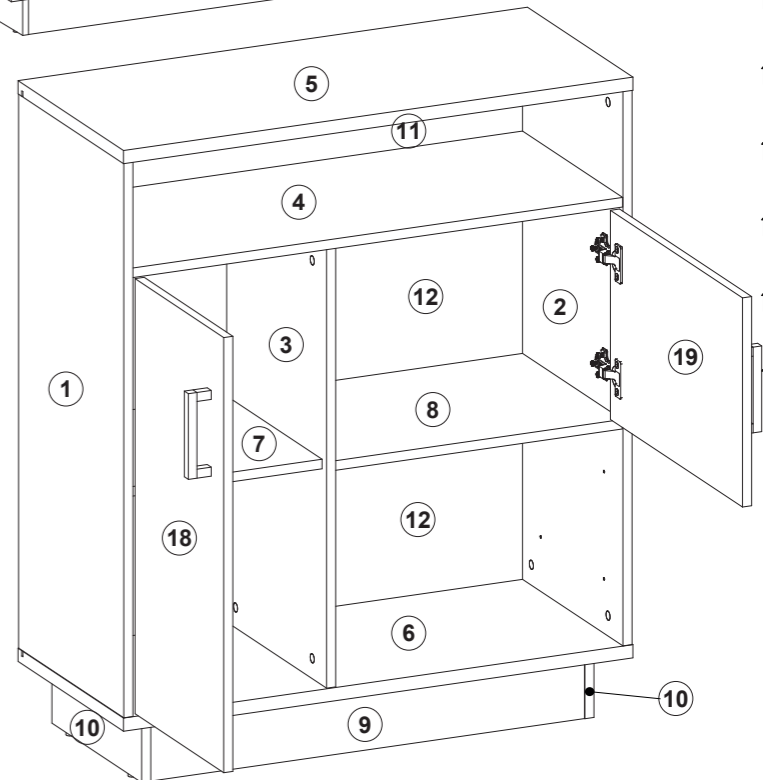
15



MODELL: CN4



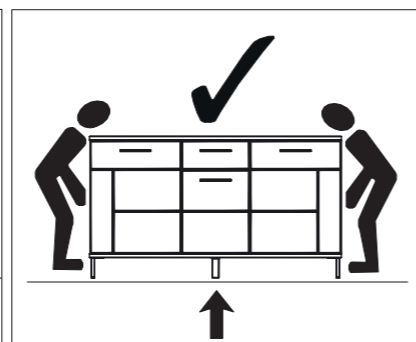
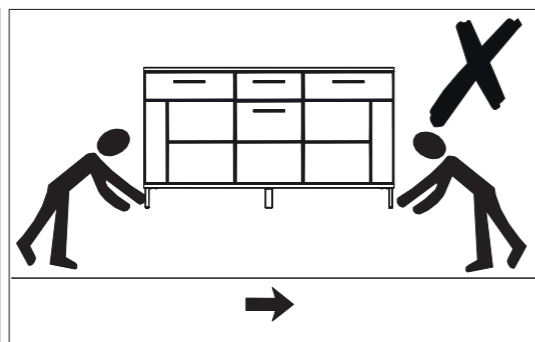
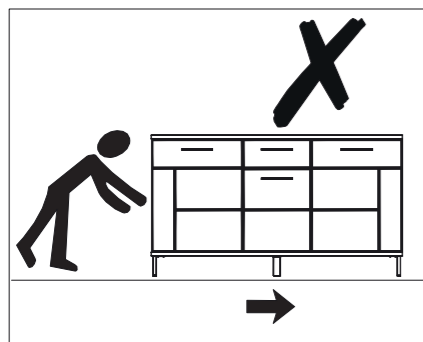
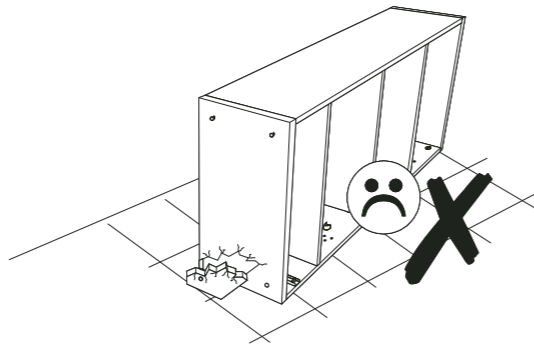
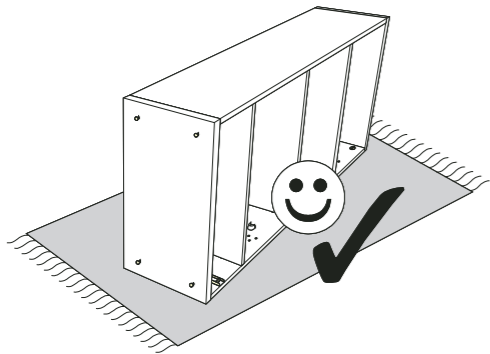
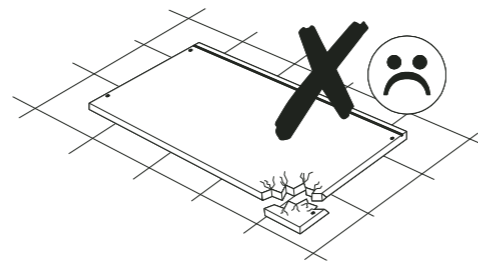
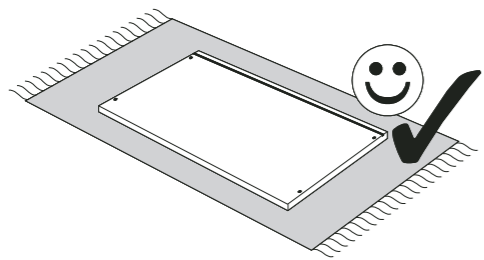
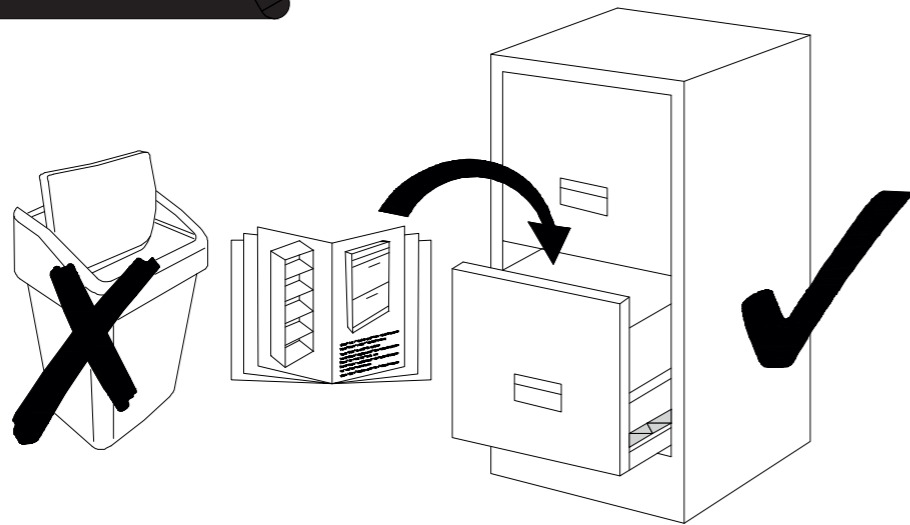
x2



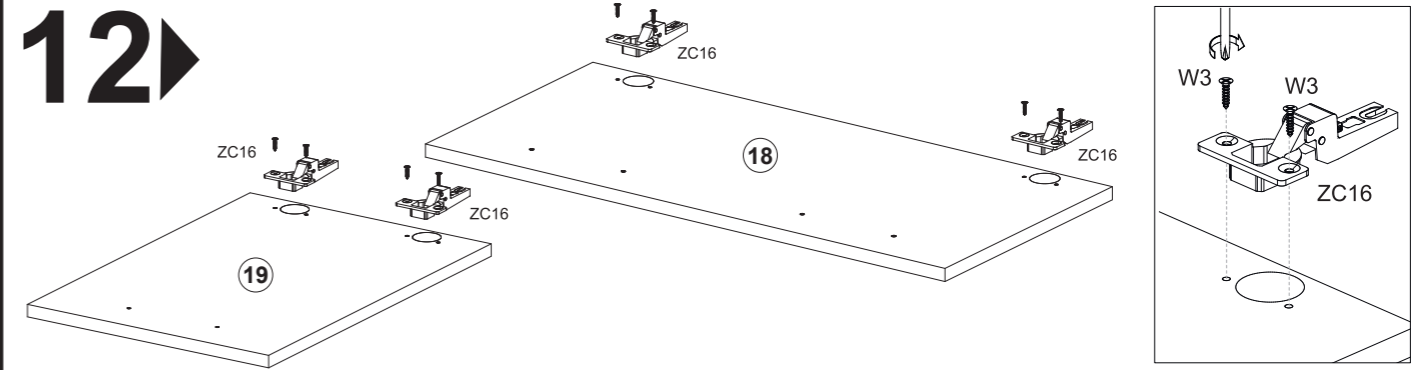
| A | B (mm) | C | D |
|----|---------|-------|-----|
| 1 | 925 395 | 16 x1 | 2/2 |
| 2 | 925 395 | 16 x1 | 2/2 |
| 3 | 732 375 | 16 x1 | 1/2 |
| 4 | 858 376 | 16 x1 | 1/2 |
| 5 | 892 396 | 22 x1 | 2/2 |
| 6 | 892 396 | 22 x1 | 2/2 |
| 7 | 340 358 | 16 x1 | 1/2 |
| 8 | 502 374 | 16 x1 | 1/2 |
| 9 | 760 104 | 16 x2 | 1/2 |
| 10 | 337 104 | 16 x2 | 1/2 |

| A | B (mm) | C | D |
|----|---------|--------|-----|
| 11 | 874 190 | 2,5 x1 | 2/2 |
| 12 | 874 375 | 2,5 x2 | 2/2 |
| 13 | 350 118 | 16 x1 | 1/2 |
| 14 | 350 118 | 16 x1 | 1/2 |
| 15 | 444 104 | 16 x1 | 1/2 |
| 16 | 460 357 | 2,5 x1 | 2/2 |
| 17 | 496 176 | 16 x1 | 1/2 |
| 18 | 726 334 | 16 x1 | 1/2 |
| 19 | 349 496 | 16 x1 | 1/2 |

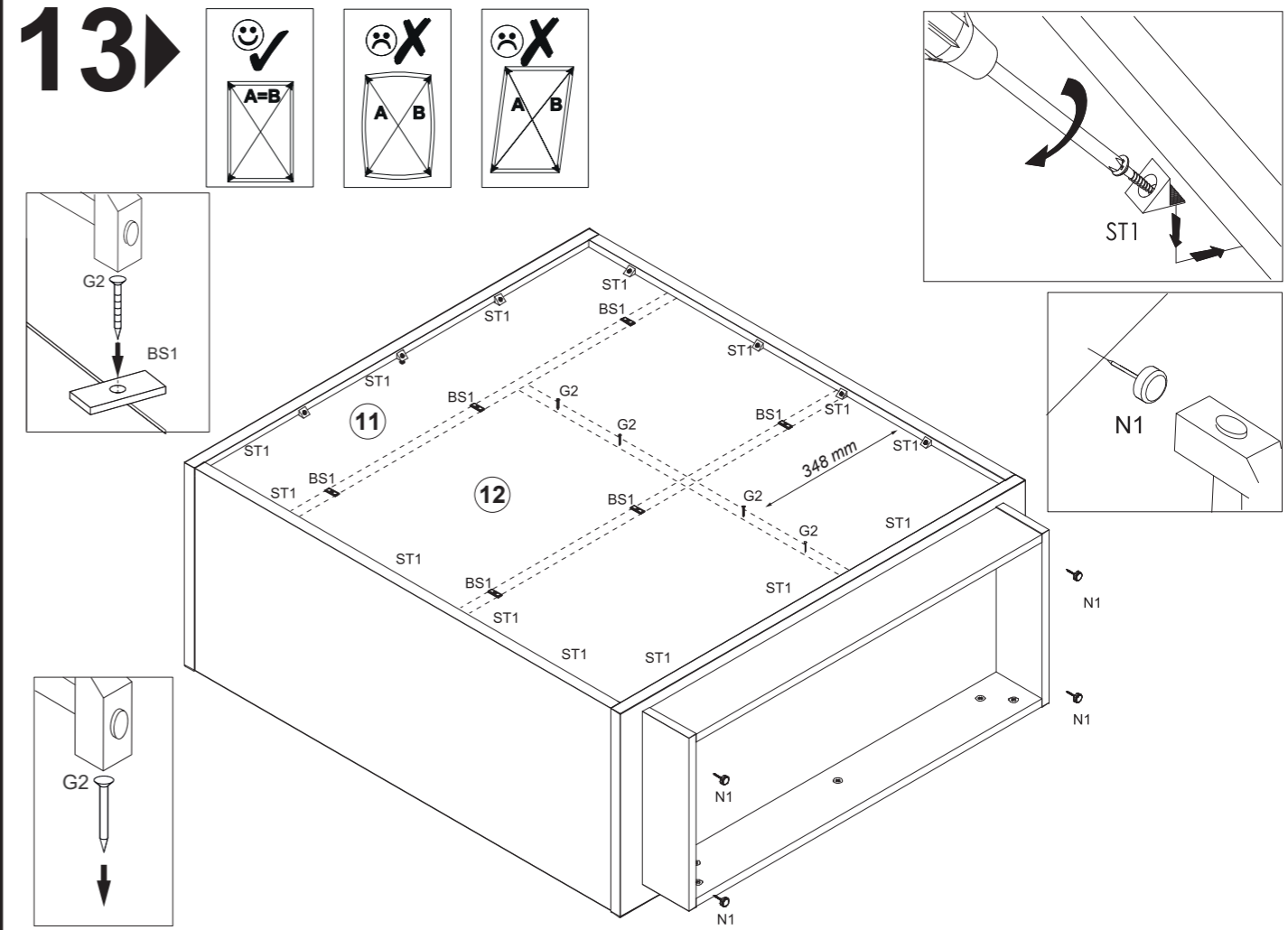
| | | | | |
|-------------|-----------|------------|-----------|-------------|
| 4x | 6x | 1x | 2x | 2x |
| ZC16 | BS1 | B2 | L-84mm T2 | 3.0x16 W2 |
| 26x | 10x | 14x | 2 kpl. | 8x |
| #20/871 ZN1 | 3.5x16 W3 | ST1 | #350 PK3 | #14/871 ZN2 |
| 8x | 24x | 1x (opcja) | 1x | 42x |
| 6.4x50 K5 | 8x30 K1 | LED L1 | K20 | #15/15 M1 |
| 38x | 8x | 20x | 16x | |
| DU232T T1 | 4x25 WM1 | 2x20 G2 | 5x11 E1 | |



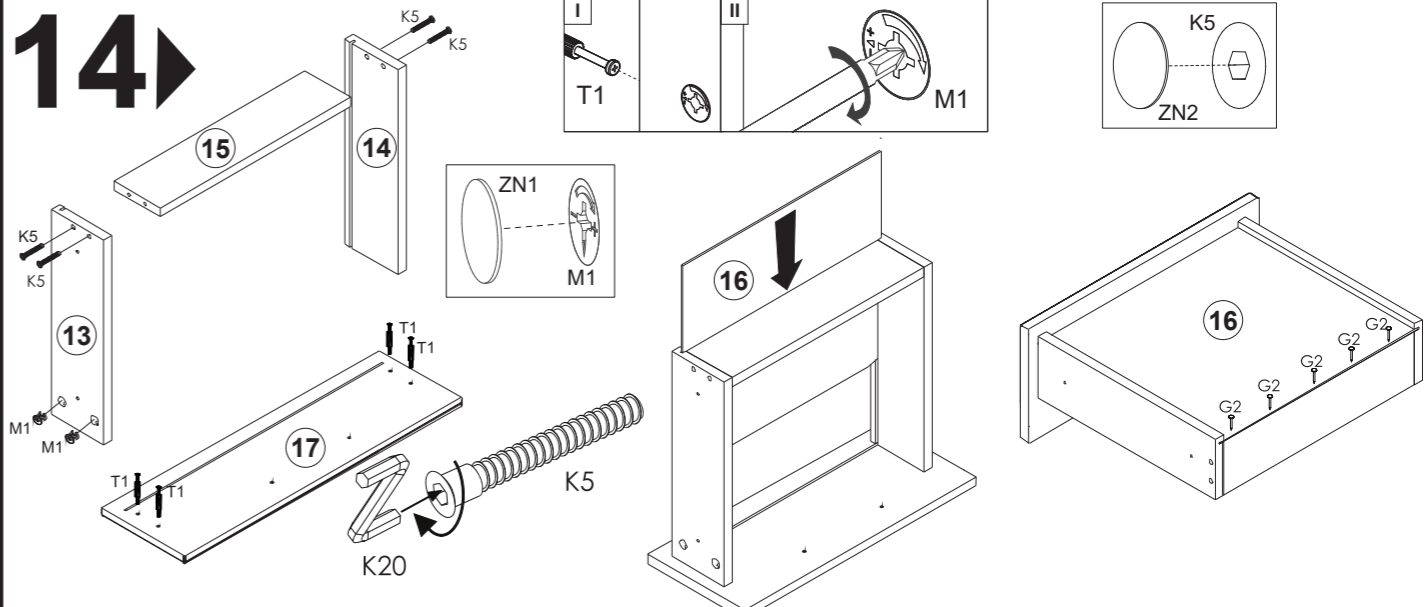
12



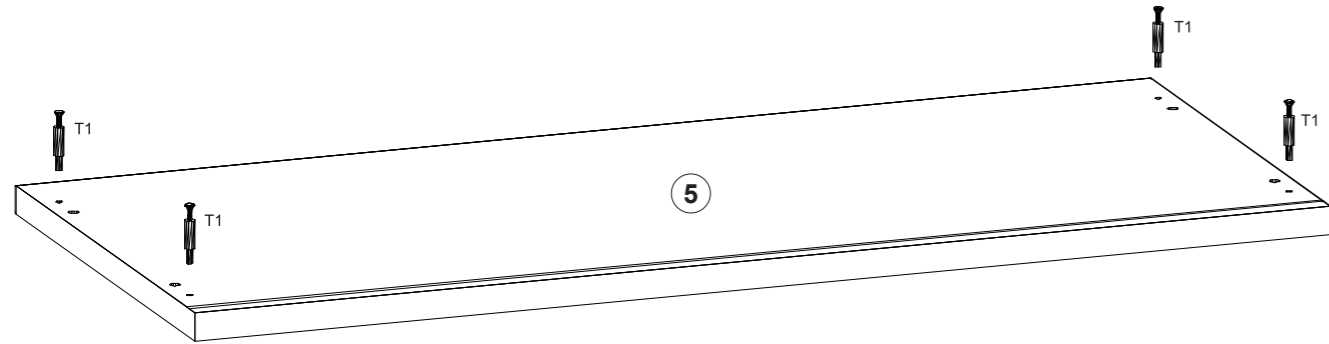
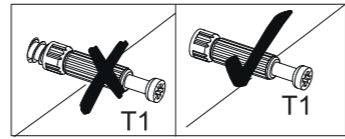
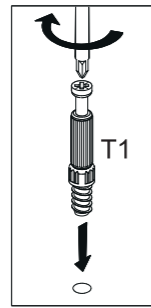
13



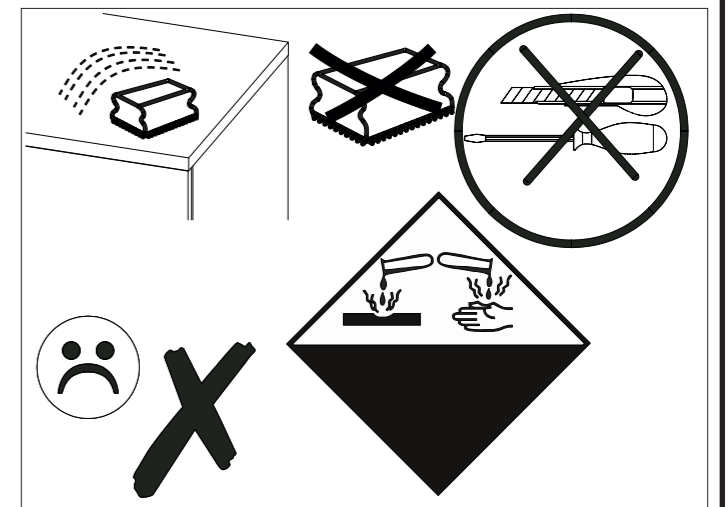
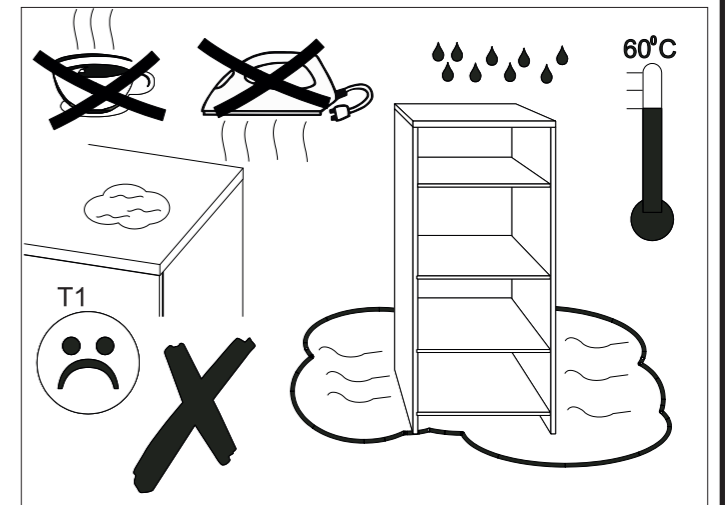
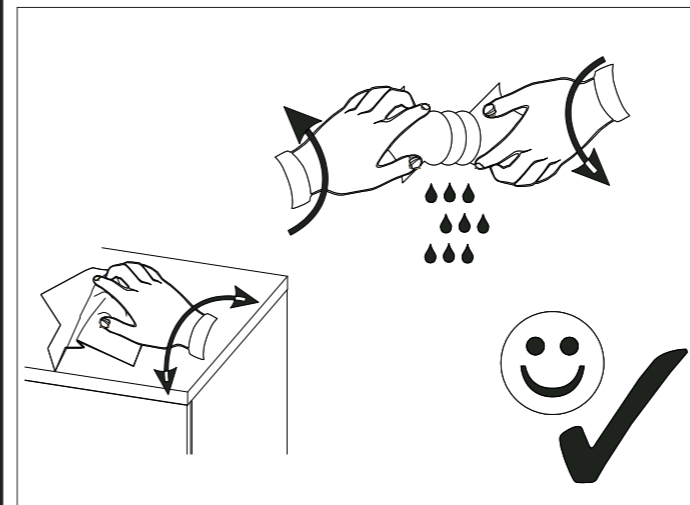
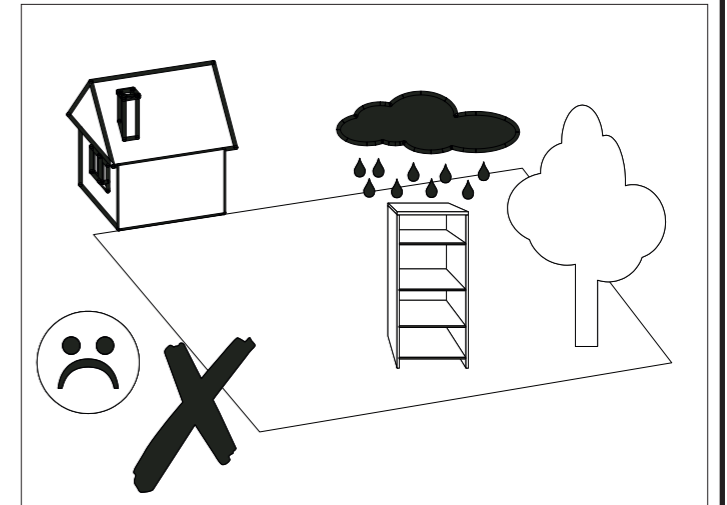
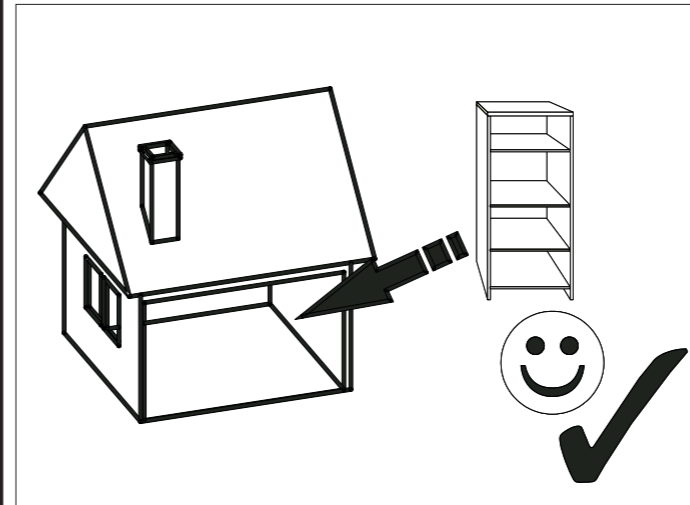
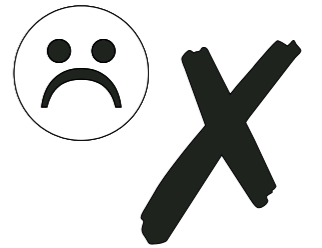
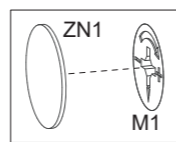
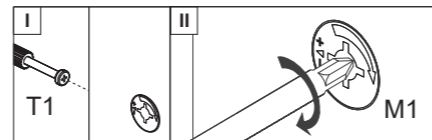
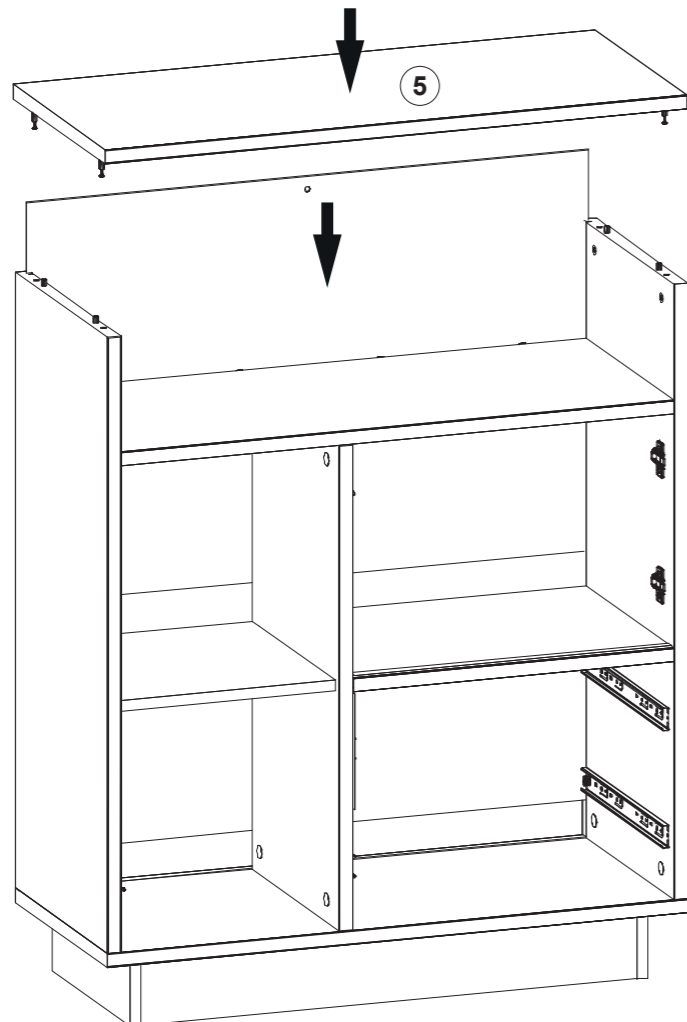
14

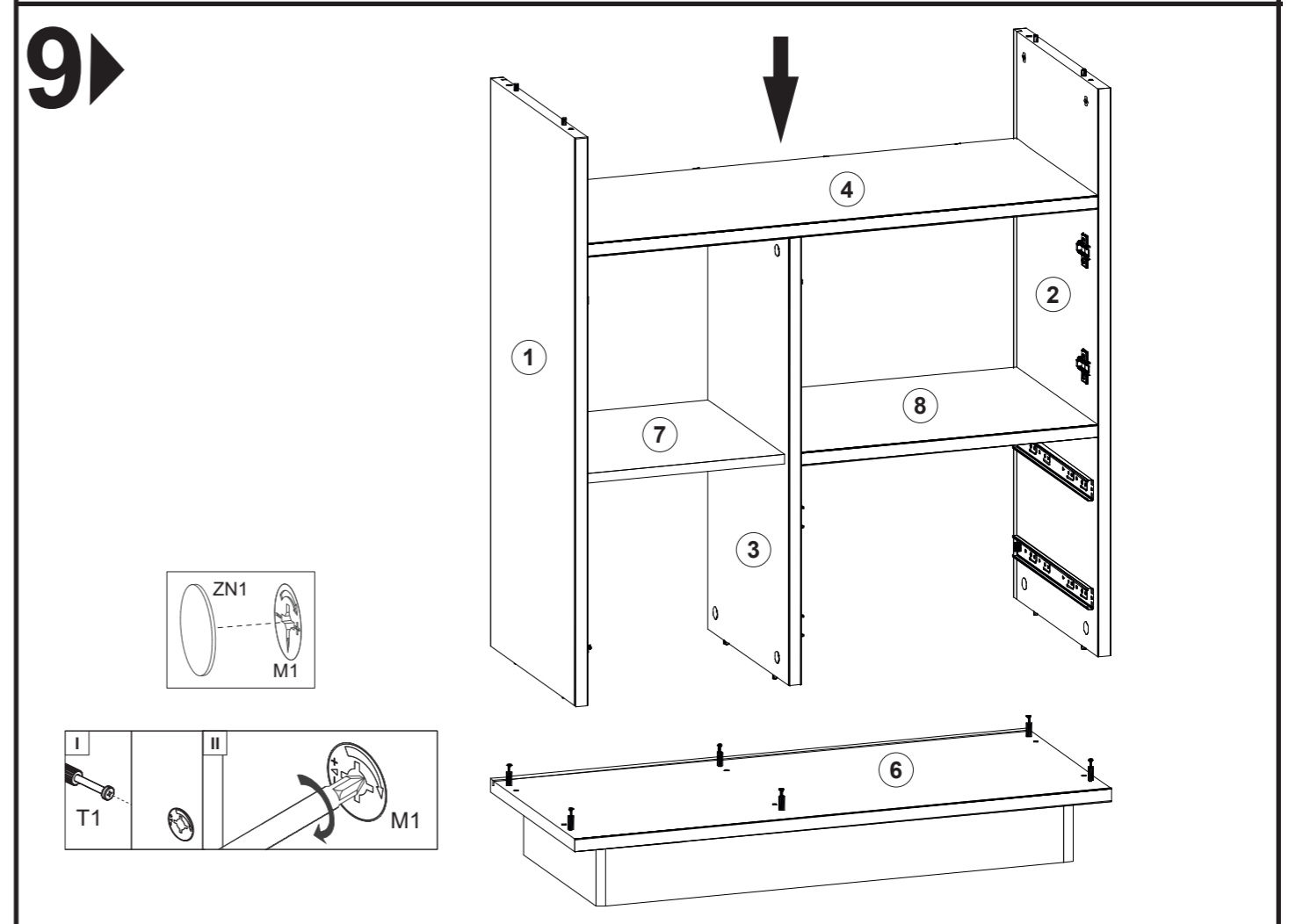
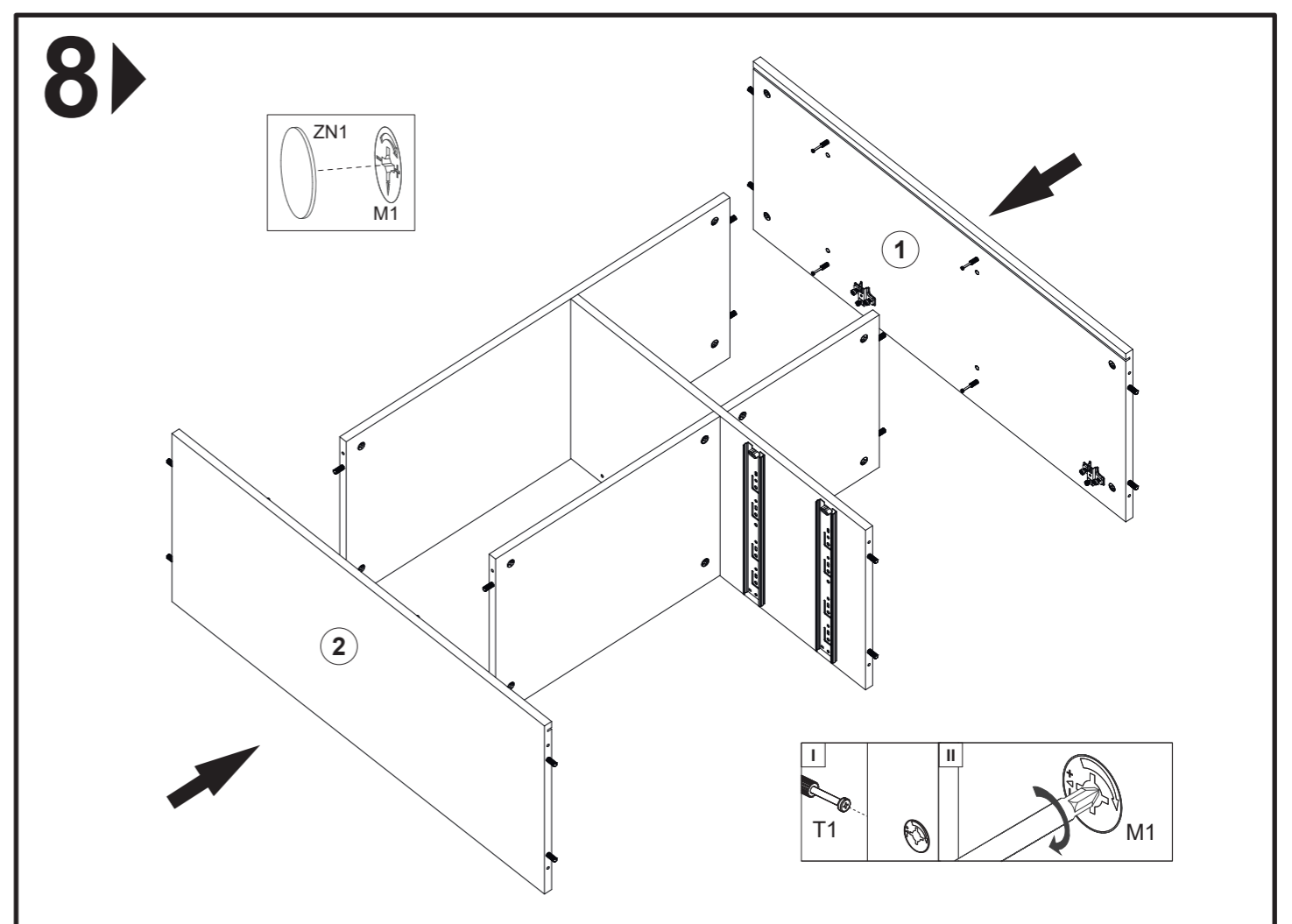
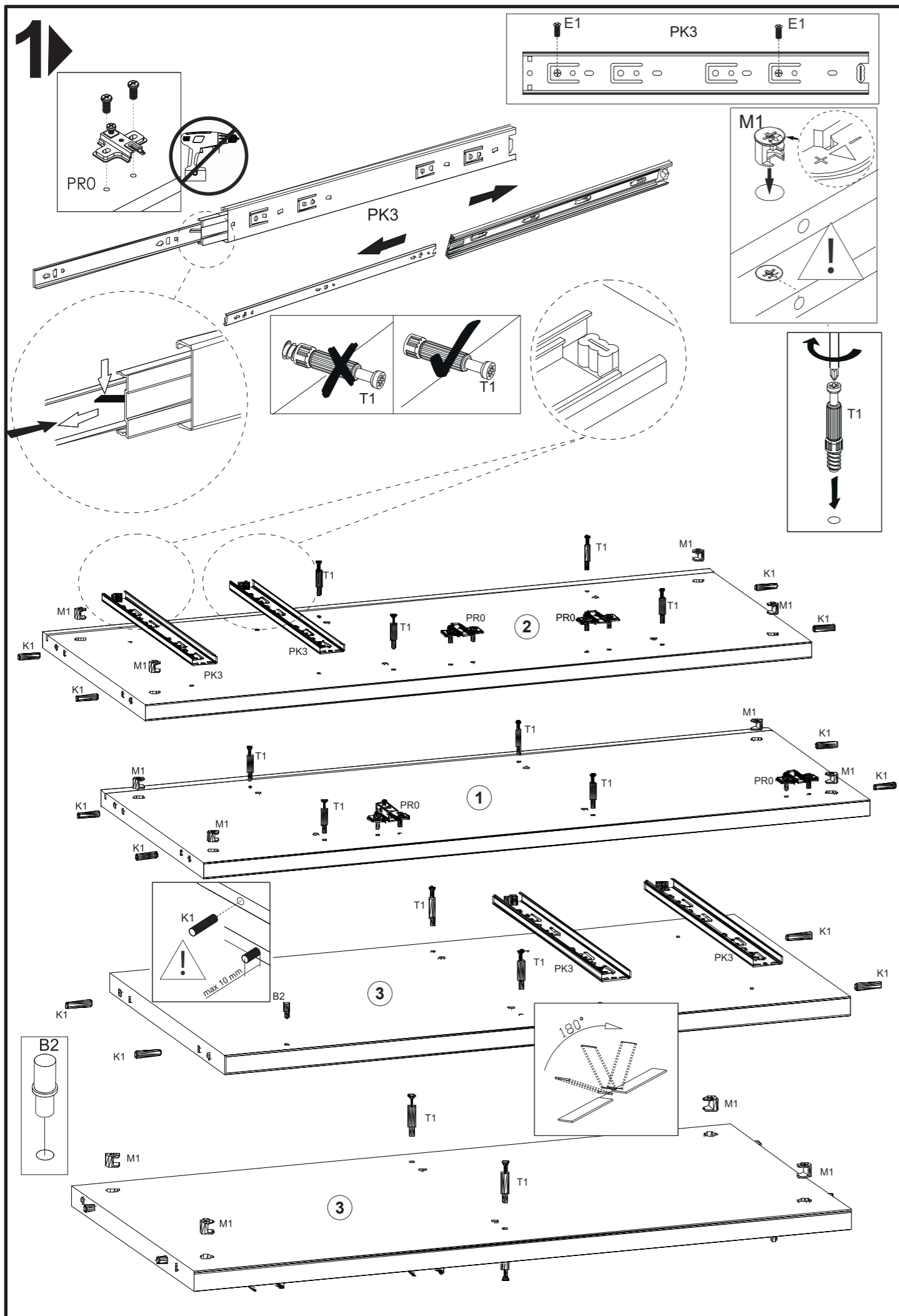


10▶

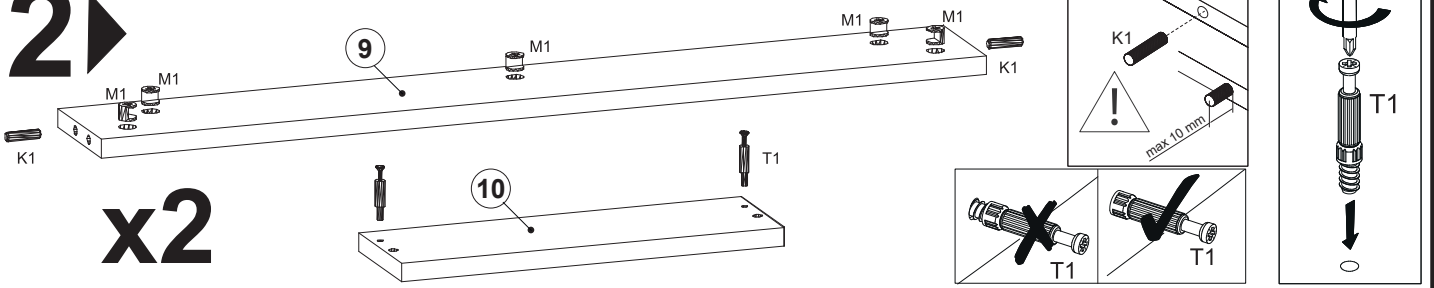


11▶



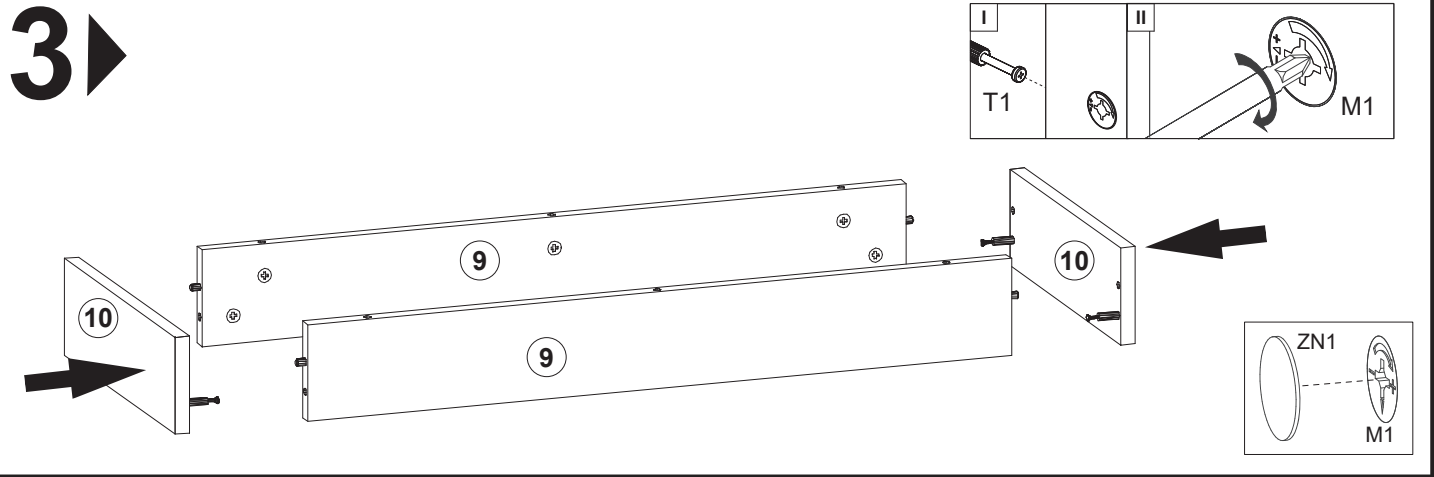


2

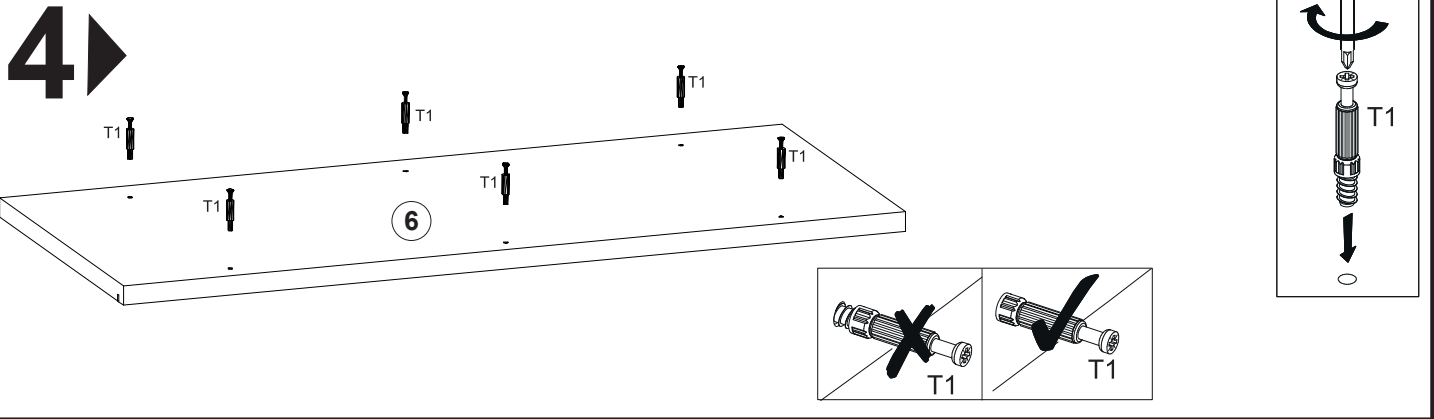


x2

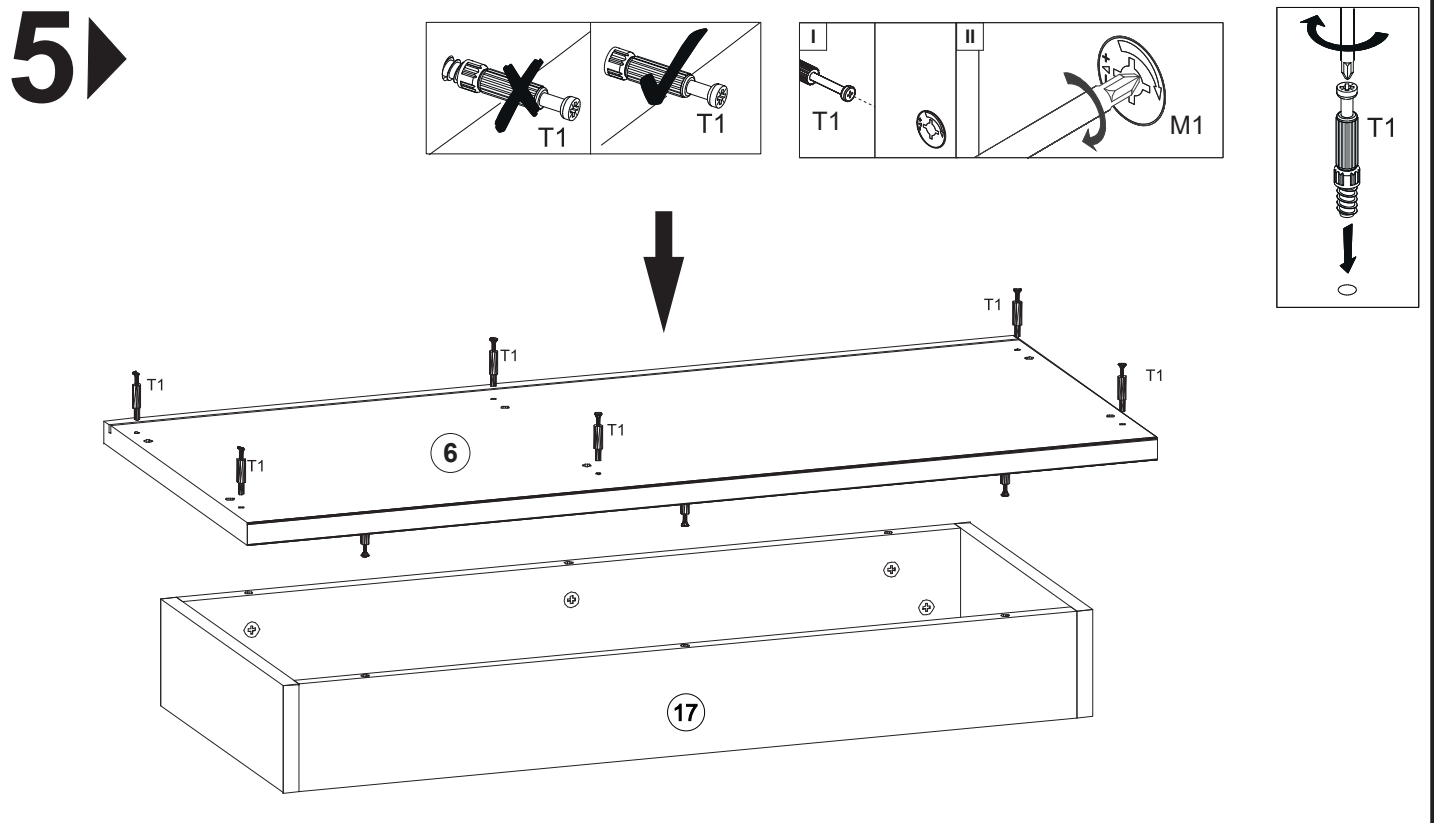
3



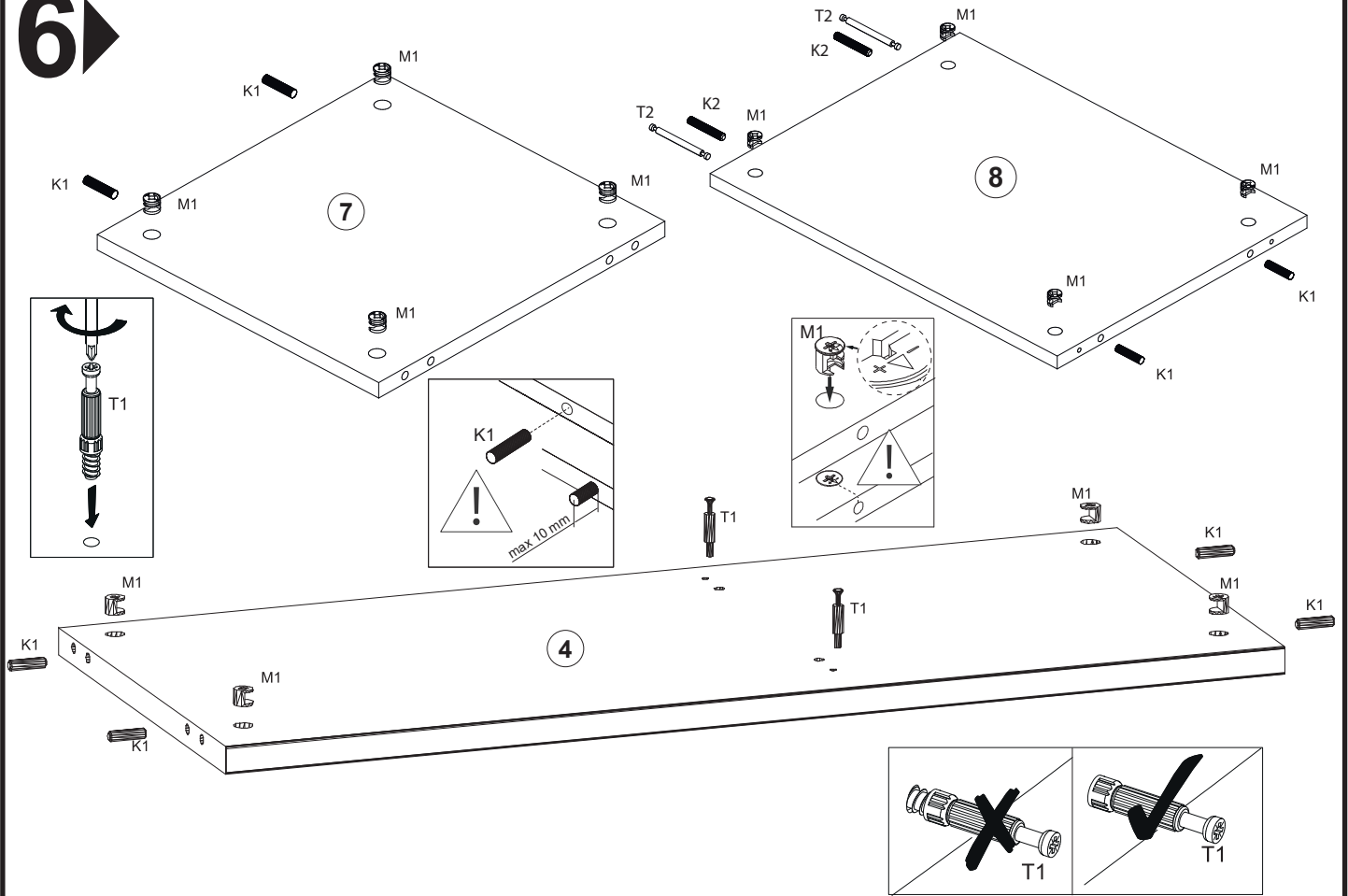
4



5



6



7

